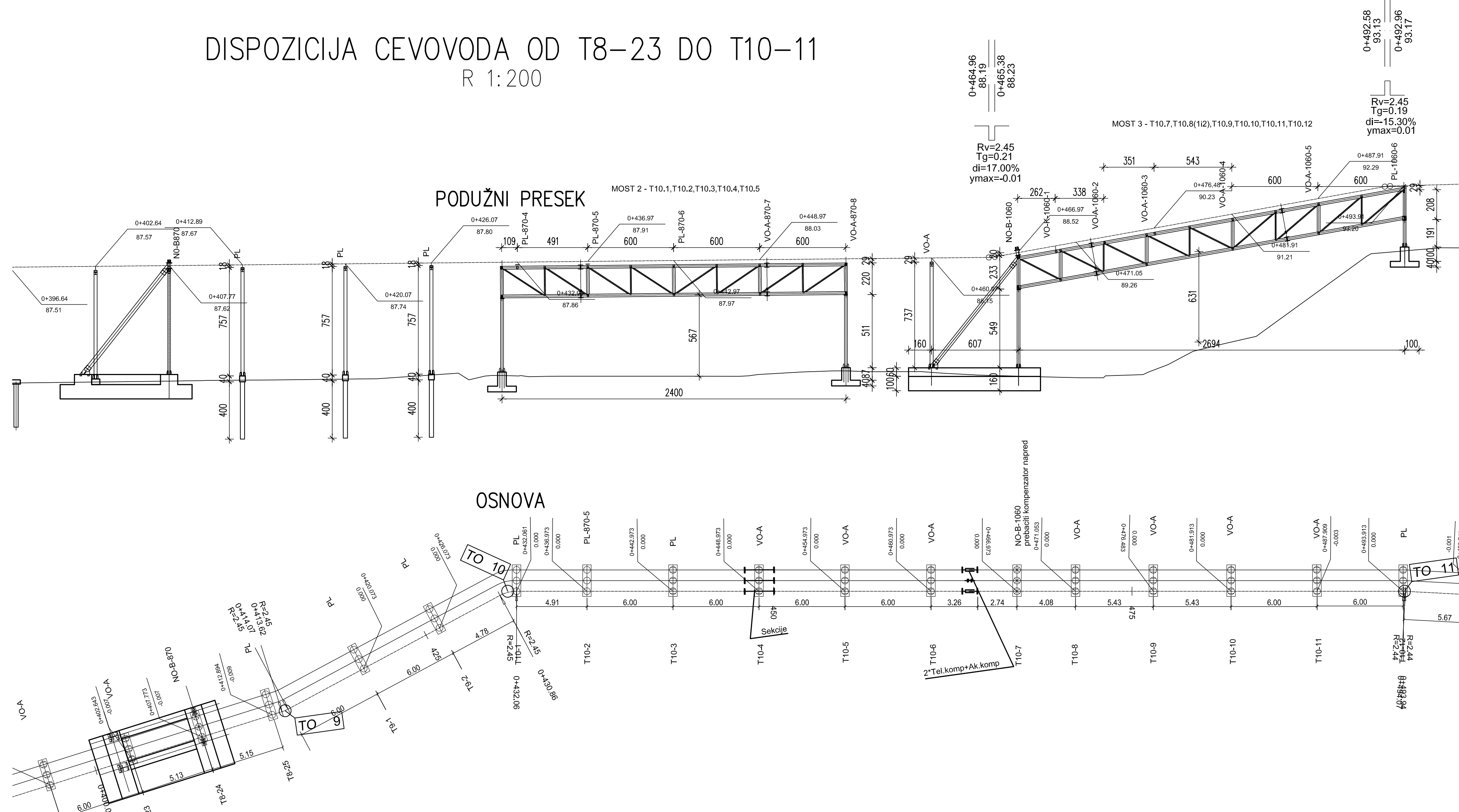


DISPOZICIJA CEVOVODA OD T8-23 DO T10-11

R 1:200



T8		
Point No.	Easting	Northing
23	7514236.82	4953103.90
24	7514241.88	4953104.75
25	7514246.93	4953105.60

T9		
Point No.	Easting	Northing
1	7514253.71	4953107.91
2	7514259.34	4953109.99

T10		
Point No.	Easting	Northing
1	7514265.02	4953111.77
2	7514269.88	4953111.09
3	7514275.82	4953110.26
4	7514281.76	4953109.43
5	7514287.71	4953108.59
6	7514293.65	4953107.76
7	7514299.59	4953106.93
8	7514303.63	4953106.37
9	7514309.01	4953105.61
10	7514314.39	4953104.86
11	7514320.32	4953104.03
12	7514326.27	4953103.20

		Ime	Potpis	Datum
Odgovorni projektant: V. Stojadinović Obradio: N. Tešankić Odobrio: Z. Mitrović				Dec. 2012
CUSTOMER/NARUČILAC: ELECTRIC POWER INDUSTRY OF SERBIA				
DRAW/CRTAO CHECKED/KONTROLISAO	DATE/DATUM	NAME/IME	SCALE/RAZMERA	
			1:200	CLIVE BERGEMANN LAKESIDE BOULEVARD LAKESIDE DONCASTER, SOUTH YORKSHIRE S14 5PL, ENGLAND Tel: +44 (0)1302 532200 Fax: +44 (0)1302 369055 www.glyde.co.uk
DESCRIPTION/NAZIV: REPLACEMENT OF ASH SLURRY SYSTEM KOSTOLAC A ZAMENA SISTEMA ODPEPELJIVANJA KOSTOLAC A Pipeline from silo complex to TEKO B crossing Cevodov od siloskog kompleksa do ukrštanja sa cevovodom iz TE Kostolac B DISPOZICIJA OF PIPELINE-OF T8-23 TO T10-11 DISPOZICIJA CEVOVODA-OD T8-23 DO T10-11		DRAWING INTERNAL No./BROJ INTERNOG CRTEŽA: U 055 06G 413 DRAWING No./BROJ CRTEŽA: C062923413		
SHEET/LIST: 1 OD 1		REV: 00		CAD: ACAD 2012