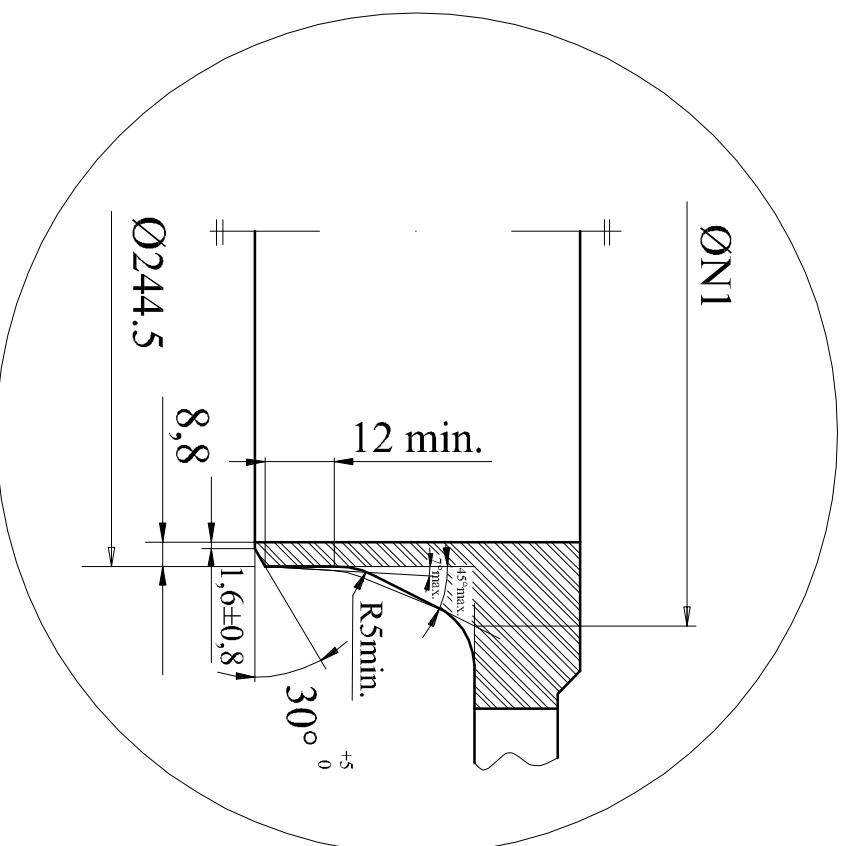


Prirubnica SRPS EN 1092-1 / DN225 / PN40 / P245GH (1.0352) / B1



žleb za zavarivanje, aneks A

Napomena:
Crtež je informativnog karaktera. Isporučilac dostavlja detaljnu dokumentaciju.

		KFG INDUSTRIAL GROUP		CUSTOMER/NARUČILAC: ELECTRIC POWER INDUSTRY OF SERBIA	
PROJEKTOVANJE IZVRŠO 	DATE/DATUM	NAME/IME	SCALE/ RAZMERA 1:4	Ime	Potpis
DRAW/ CRTAO	CHECKED/ KONTROLISAO	NAME/IME	SCALE/ RAZMERA 1:4	Odgovorni projektant: M.Ostojić	Datum 09. 2012
DESCRIPTION/NAZIV: REPLACEMENT OF ASH SLURRY SYSTEM KOSTOLAC A ZAMENA SISTEMA ODPEPELJIVANJA KOSTOLAC A FLANGE DN225 PN 40 PRIRUBNICA DN225 PN 40			DRAWING INTERNAL No./BROJ INTERNOG CRTEŽA: U 055 06M 241 DRAWING No./BROJ CRTEŽA: C062923641	GLYDE BERGEMANN LAKESIDE BUILDING DONCASTER, SOUTH YORKSHIRE DN4 9PL, ENGLAND S622ND Tel : +44 (0)1522 552200 Fax : +44 (0)1522 559505 www.glyde.co.uk	No reproduction or publication of this drawing may be made and no other may be made in any form or by any means, in accordance with this drawing without prior written consent. Protected by UK Design Right under the terms of the copyright, design and patents act 1988.
SHEET/LIST: 1 OD 1		REV: 00		CAD: ACAD 2012	