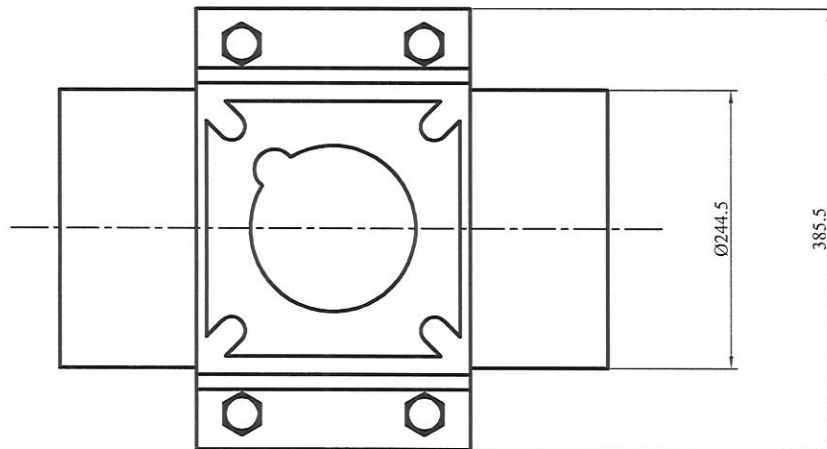
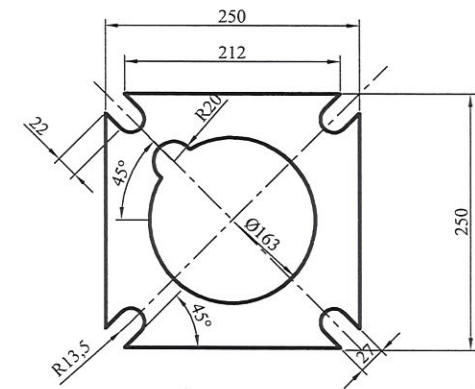


Pogled A-A





Napomena:

Crtež je informativnog karaktera. Isporučilac oslonca dostavlja detaljnu dokumentaciju u skladu sa rezultatima proračuna.

AKZ zaštita u klasi kao za cevovode.

| Nepokretni oslonac NO-B | | | | | | |
|-------------------------|------------|---------|---------|-------------|-------------|-------------|
| F_x , kN | F_y , kN | +Fz, kN | -Fz, kN | M_x , kNm | M_y , kNm | M_z , kNm |
| 34 | 170 | 100 | 100 | 65 | 2 | 65 |

| | | | | | | | | | |
|---|------------|--------------------|--------------------------|---|--|-------------------|--|--|--|
|  KFG INDUSTRIAL GROUP | | Ime M. Ostojčić | | Potpis S. Genić | | Datum 09. 2012 | | | |
| CUSTOMER/NARUČILAC: ELECTRIC POWER INDUSTRY OF SERBIA | | | | | | | | | |
| DRAW/ CRTAO CHECKED/ KONTROLISAO | DATE/DATUM | NAME/IME | SCALE/ RAZMERA 1:5 |  GLYDE BERGMANN LAKESIDE INDUSTRIAL LAKESIDE YORKSHIRE, SOUTH YORKSHIRE EN4 5PL, ENGLAND Tel: +44 (0)1302 362200 Fax: +44 (0)1302 369055 www.demk.co.uk | | | | No reproduction or publication of this drawing may be made and no article may be manufactured or assembled in accordance with this drawing without prior written consent. Protected by UK, Design Right under the terms of the copyright, design and patents act 1988. | |
| DESCRIPTION/NAZIV: REPLACEMENT OF ASH SLURRY SYSTEM KOSTOLAC A ZAMENA SISTEMA ODPEPELJIVANJA KOSTOLAC A FIXED RESTRAINT (ANCHOR) NO-B NEPOKRETNI OSLOMAC NO-B | | | | DRAWING INTERNAL No./BROJ INTERNOG CRTEŽA: U 055 06M 236 DRAWING No./BROJ CRTEŽA: C062923636 | | | | | |
| SHEET/LIST: 1 OD 1 | | | | REV: 00 | | | | | |
| CAD: ACAD 2012 | | | | | | | | | |