

### **Pumpe guste hidromešavine (6 komada)**

Pumpe pumpne linije guste hidromešavine 1 do 3 – Tip 8/6EEAH Pumpe

#### **Ulazni podaci:**

$Q=300 \text{ m}^3/\text{h}$

$sg= 1,379 \text{ ( max)}$

$cw= 55\% \text{ ( max)}$

**Hgeo= 17 m**

Pražnjenje preč = 228 mm ( unutrašnji)

Brzina guste hidromešavine = 2,04 m/s

Din visc= 51 mPas

$k = 100 \text{ mikrona}$  ( hrapavost zidova cevi)

$d_{50} = 100 \text{ mikrona}$

$d_{max}= 24 \text{ mm}$

$L = 7200 \text{ m}$

#### **Računski podaci:**

$H_w= 239,89 \text{ m}$

$H_m= 222,47 \text{ m}$

$Pr= 30,1 \text{ bar}$

$P_{abs}= 134,17 \text{ KW}$

**P mot 160 KW**

#### **Pumpa tip= 8/6 EEAH, AH, AH,AHP – četiri pumpe u seriji / liniji**

Radno kolo= F6147

Prečnik radnog kola= 510 mm

$rpm= 1110 \text{ 1/min}$

$TS= 30,2 \text{ m/s}$

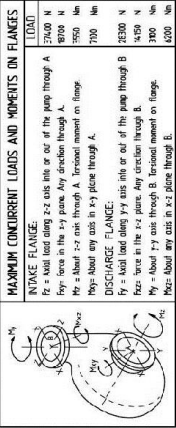
$Eff = 53 \%$

#### **Pumpe guste hidromešavine (2 komada)**

Pumpa pumpne linije guste hidromešavine 4 – Tip 8/6EEAHP Pumpa

Isti radni uslovi kao i prethodne samo proizvedene sa kućištem za visoke pritiske

ITEM QTY	DESCRIPTION	PART NO.
1	WARMAN PUMP	A-HPBMF-CCR-B1
2	DRIVE INT	SF005-35E03P
3	DRIVE INT	SEE SPEC.
4	MOTOR	SEE SPEC.



**MAXIMUM CONCURRENT LOADS AND MOMENTS ON FLANGES**

**INTAKE FLANGE:**  
 Fx = Max load along x-z axis into or out of the pump through A.  
 Fy = Force in the x-y plane. Any direction through A.  
 Fz = About z-z axis through A. Torsoal moment on flange.  
 Mx = About x-x axis in x-y plane through A.  
 My = About y-y axis in x-z plane through A.

**DISCHARGE FLANGE:**  
 Fx = Max load along x-z axis into or out of the pump through B.  
 Fy = Force in the x-y plane. Any direction through B.  
 Fz = About z-z axis through B. Torsoal moment on flange.  
 Mx = About x-x axis in x-y plane through B.  
 My = About y-y axis in x-z plane through B.

**LOADS in Kg**

PUMP	2974
MOTOR	1072
MOTOR SUPPORT	95
DRIVE & GIARD	199
TOTAL STATIC	4330

**DYNAMIC LOADS ARE NEGLIGIBLE**  
 The effects of loads and moments applied to flanges are additional.

**DRIVE SPECIFICATION**

MOTOR	370	35
PULLEY	300DIE	6 SPC
	305S1	3525 x 400
	4CD	425

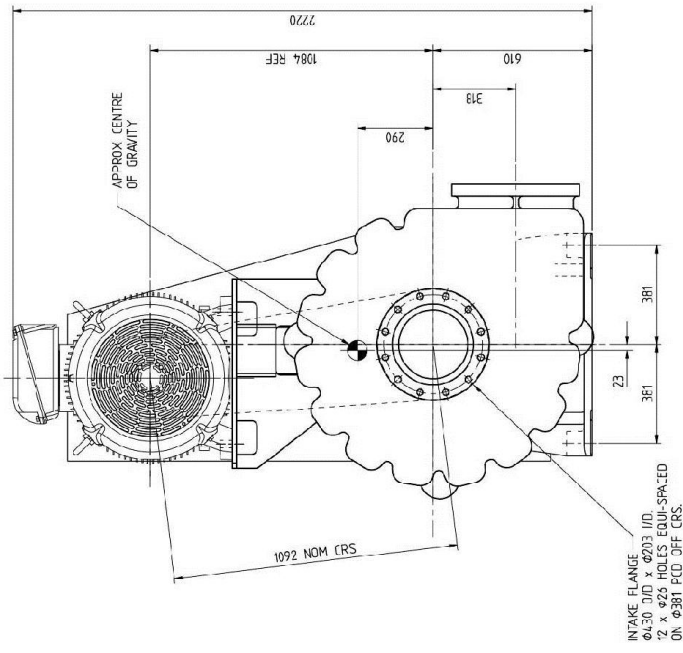
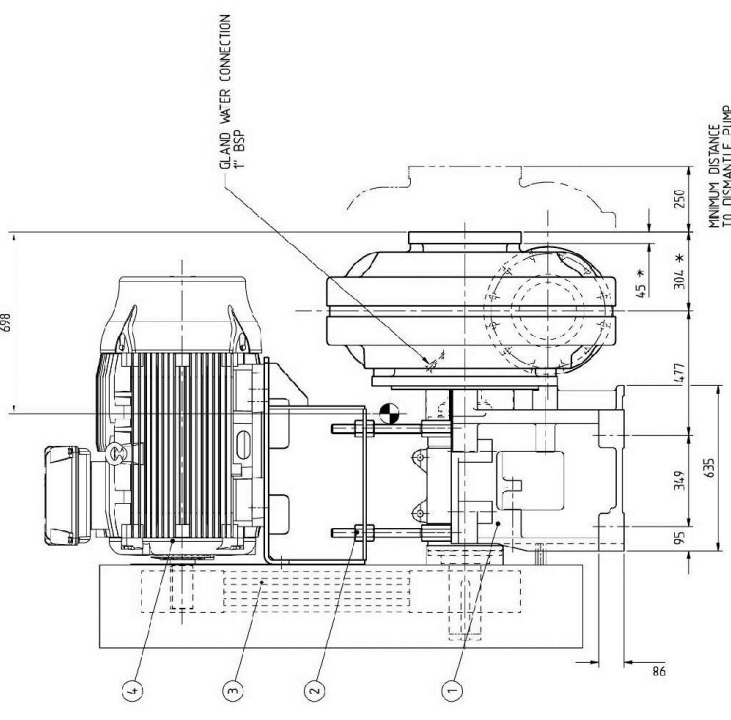
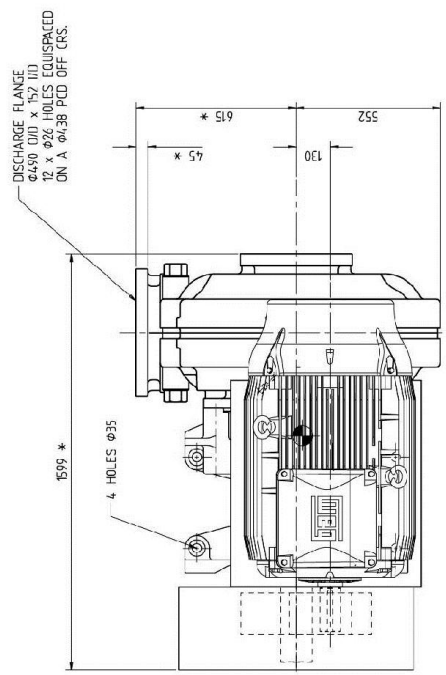
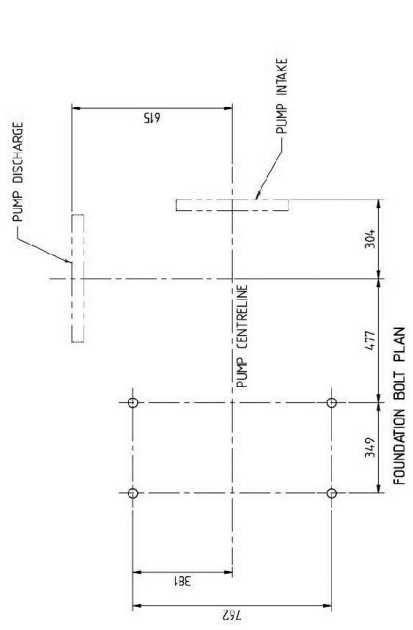
**PUMP SPECIFICATION**

PULLEY	300DIE	6 SPC
BUSH	4535 x 4720	
BELTS	SPC 3530 (6)	

**MOTOR SPECIFICATION**

MANUFACTURER	AGE
FRAME	355M
KW	50
RPM	1500

NOTE: DIMENSIONS SHOWN \* INCLUDE COMPRESSION OF RUBBER JOINT



ENCUMBRANCE : 1172 x 1604 x 2225

WARMAN CONTRACT REF. TAG N°.  
 2007088 / 001 WPS3104-5

WARMAN CENTRIFUGAL Slurry Pumps

PRODUCT: Warman® Centrifugal Slurry Pumps

TITLE: GENERAL ARRANGEMENT OF B-6 FE-A-MPP, 3155M MOTOR, CV DRIVE, DISCH 'C'

WARMAN CONTRACT REF. TAG N°: 2007088 / 001 WPS3104-5

SCALE: NA

CHK K.A.E.

APPE LW.

DRN A.T.HANSEN

DATE: APR 17/2012

SHEET 1 OF 1

REV

DESCRIPTION

BY

LATE

CHK

DATE

APR 17/2012

SHEET 1 OF 1

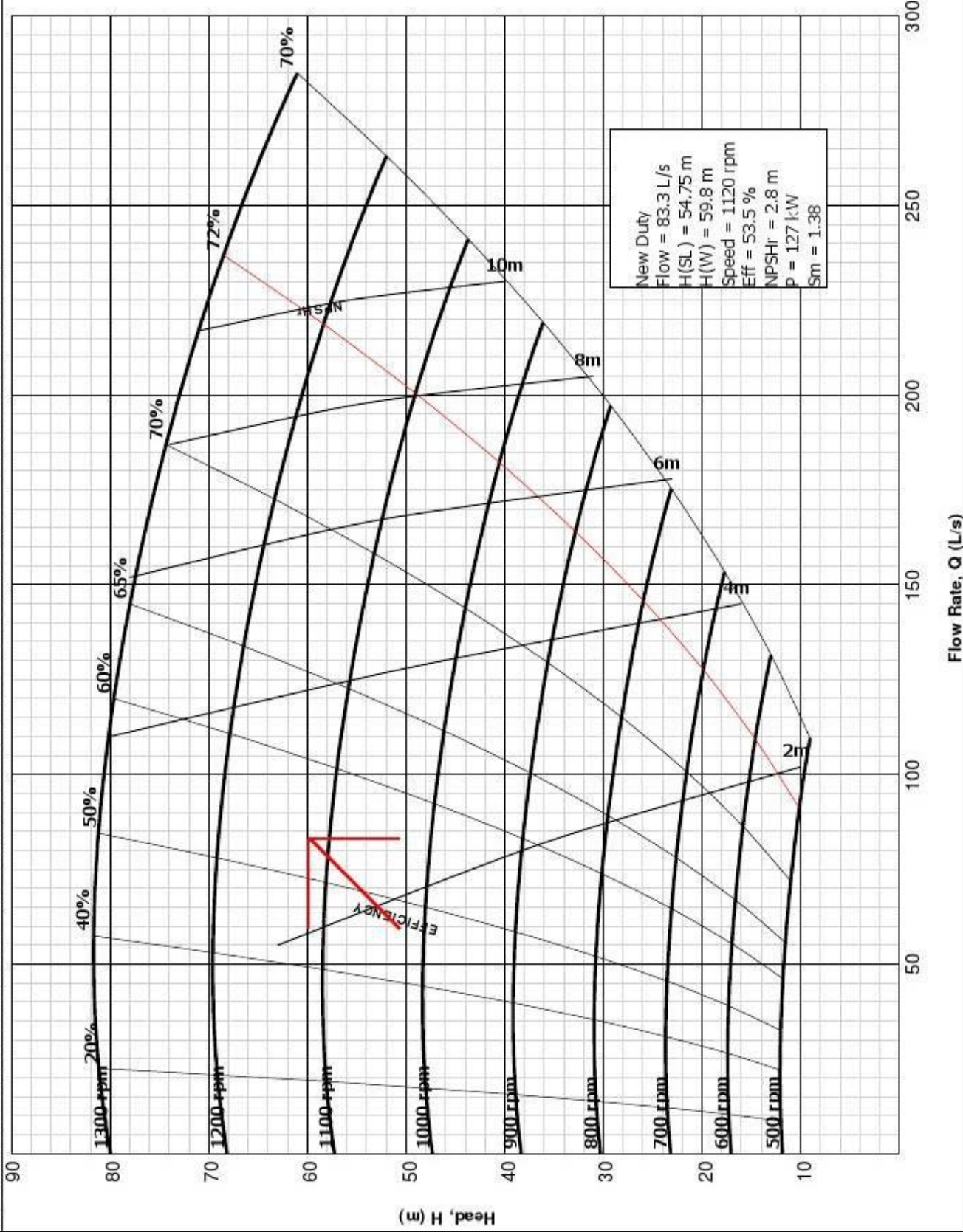
WARMAN CONTRACT REF. TAG N°: 2007088 / 001 WPS3104-5

# Horizontal Pump 8/6 AH

Excellent Minerals Solutions



CURVE SHOWS APPROXIMATE PERFORMANCE FOR CLEAR WATER (International Test Standard ISO9906:1999 - Grade 2 unless otherwise specified). For media other than water, corrections must be made for density, viscosity and/or other effects of solids. WEIR MINERALS reserves the right to change pump performance and/or delete impellers without notice. Frame suitability must be checked for each duty and drive arrangement. Not all frame alternatives are necessarily available from each manufacturing centre.



Pump	
Discharge	152mm
Suction	203mm

Impeller	
Vanes	5
Vane ø	510mm
Type	Closed
<b>Part No</b>	<b>Material</b>
F6147	Metal

Frame (Rating - KW)	
E	120
EE	225
F	260
R	300
FFX	425
FF	425
S	560
SX	560

Seal	Gland Sealed Pump
------	-------------------

Liner (Norm Max r/min)	
Polymer	940
Metal	1300

Min Passage Size	
	63mm

Curve	
Revision	1
Revision Notes	CHANGE OPTIONS
Reference	TEST 73A-D:A4-P-678/9
Issued	Mar 99

© 1/2012 Weir Minerals Australia (PTC)  
All Rights Reserved

TYPICAL PUMP PERFORMANCE CURVE  
**WPA86A01/1**